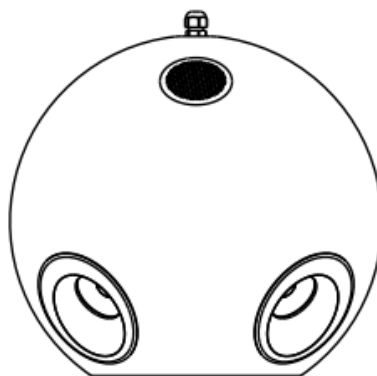
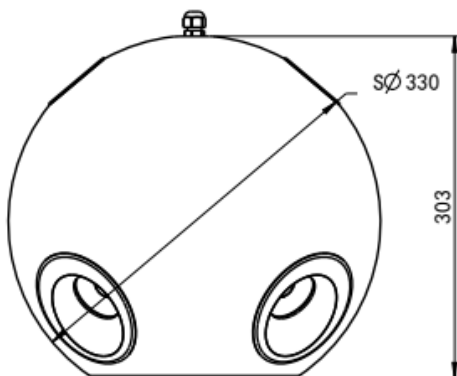




BAS BALL

360° PENDANT loudspeaker

FREQUENCY RESPONSE (± 10dB): 60 Hz – 15 kHz	DRIVERS: MF 4x 2", LF 1x 5,25"
RATED POWER: 50W RMS / 80W MAX	SENSITIVITY: 86,6 dB 1W/1M
MAXIMUM SPL: 102,4 dB	IMPEDANCE: 4 Ω
100V TAP: 50W / 25W / 12,5W	DISPERSION: 360°
COLOR: Black	MATERIAL: ABS
CABLE: 6-wire speaker cable	DIMENSIONS: 330 x 303 mm
NET WEIGHT: 4,9 kg	



BAS BALL

BLACK

360° PENDANT
loudspeaker

INDOOR

4 Ω / 100V

